

# MURRAY

®

# MURRAY CORPORATION Clamping Solutions

## Double-Wire Clamps - SAE Type "A"

Double sealing action, plated to protect against rust and corrosion.

Unique Swivel Nut:

- Nut is integral part of clamp to prevent loss.
- Nut remains perfectly aligned with screw.
- Standard zinc plated material; other plating types available.
- Standard wire diameter: 12 gauge (.1055 in +/- .003in) (2.68mm +/- .08mm)

Wire Grips are non-stocking parts. Produce and release policy requires firm purchase order and specific release dates.

Packaging: Bulk. - Minimum Lot sizes apply. - Patent Numbers 2,536,612 , 4,414 ,715 , 4,592,576



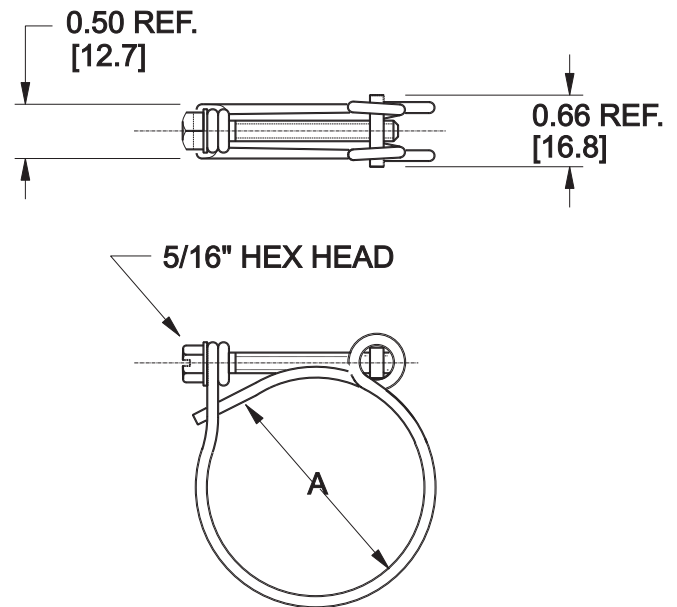
### Rated Ultimate Torque:

40in.lbs. min. (4.5Nm)

### Recommended Installation Torque:

20-25in.lbs. (2.3 - 2.8Nm)

SAE No.	Part Number	Inches		Millimeters	
		Open	Closed	Open	Closed
34	102100	1.06	0.94	26.9	23.9
36	102102	1.12	0.99	28.4	25.1
38	102104	1.19	1.06	30.2	26.9
40	102106	1.25	1.12	31.8	28.4
42	102108	1.31	1.16	33.3	29.5
44	102110	1.38	1.19	35.1	30.2
46	102112	1.44	1.25	36.6	31.8
48	102114	1.50	1.31	38.1	33.3
50	102116	1.56	1.38	39.6	35.1
52	102118	1.62	1.44	41.1	36.6
54	102120	1.69	1.50	42.9	38.1
56	102122	1.75	1.56	44.5	39.6
58	102124	1.81	1.62	46.0	41.1
60	102126	1.88	1.69	47.8	42.9
62	102128	1.94	1.75	49.3	44.5
64	102130	2.00	1.81	50.8	46.0
66	102200	2.06	1.88	52.3	47.8
68	102202	2.12	1.94	53.8	49.3
70	102204	2.19	1.97	55.6	50.0
72	102206	2.25	2.03	57.2	51.6
74	102208	2.31	2.12	58.7	53.8
76	102210	2.38	2.19	60.5	55.6
78	102212	2.44	2.25	62.0	57.2
80	102214	2.50	2.28	63.5	57.9
82	102216	2.56	2.34	65.0	59.4
84	102218	2.62	2.41	66.5	61.2
86	102220	2.69	2.47	68.3	62.7



260 Schilling Circle • Hunt Valley, MD, 21031, USA — Ph: 410-771-0380 • Fax: 410-771-5576

www.murraycorp.com • email: sales@murraycorp.com