

# MURRAY

# MURRAY CORPORATION Clamping Solutions

## Constant Tension Turbo Seal Clamps - SAE Type

A constant tension worm gear clamp designed to compensate for the effects of thermal cycling and/or compression set of hose. Turbo Seal provides dual spring action through convoluted spring action band and spring characteristic of the "Dual Bead Shield." Electropolishing improves weld strength, which leads to improved performance, improved corrosion resistance, and enhances appearance with a more even finish. This clamp is used in automotive, off-highway, agriculture, heavy duty, aircraft (non-flight critical applications only), and military industries and can be found on turbo chargers, tanks, air-to-air, cooling and fuel lines. The unique "Dual Bead Shield" inner liner also concentrates band-sealing pressure, increasing performance up to 30% compared to standard smooth liners. Flanged edges protect soft hose compounds.

### Turbo-Seal Material Specifications

**Band Material:** Special proprietary grade of stainless with excellent spring properties

**Housing Material:** 300 Series Stainless

**Shield Material:** 300 Series Stainless

**Screw Material:** 300 Series Stainless



### Rated Ultimate Torque:

75in.lbs. min. (8.5Nm)

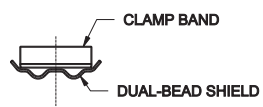
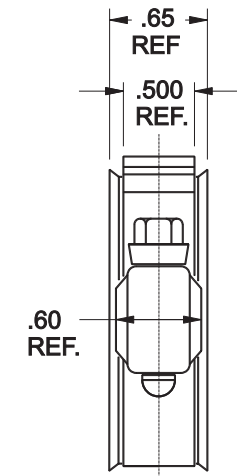
### Recommended Installation Torque:

50in.lbs. (5.6Nm)

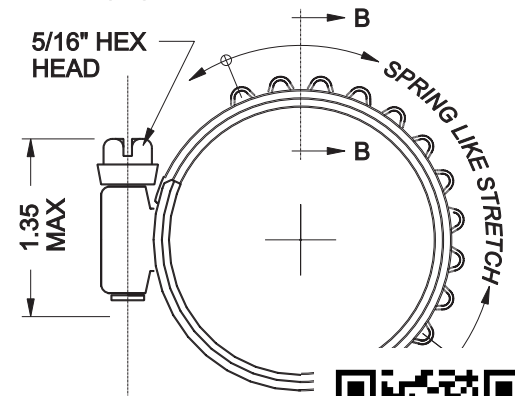
Part Number	Diameter Range SAE							
	"300" Series		Decimals		Inches		Millimeters	
<b>Stainless Screws</b>								
TSS 14S30 EP	1.12	1.50	1-1/8	1-1/2	28	38		
TSS 16S30 EP	1.20	1.63	1-1/5	1-5/8	30	41		
*TSS 18S30 EP	1.28	1.75	1-1/4	1-3/4	33	44		
TSS 20S30 EP	1.37	1.88	1-3/8	1-7/8	35	48		
*TSS 24S30 EP	1.56	2.13	1-9/16	2-1/8	40	54		
TSS 28S30 EP	1.63	2.38	1-5/8	2-3/8	41	60		
TSS 32S30 EP	1.80	2.63	1-13/16	2-5/8	46	67		
TSS 36S30 EP	1.97	2.88	1-31/32	2-7/8	50	73		
TSS 40S30 EP	2.25	3.13	2-1/4	3-1/8	57	79		
TSS 44S30 EP	2.50	3.38	2-1/2	3-3/8	64	86		
TSS 48S30 EP	2.75	3.63	2-3/4	3-5/8	70	92		
*TSS 52S30 EP	3.00	3.88	3	3-7/8	76	98		
*TSS 56S30 EP	3.25	4.13	3-1/4	4-1/8	83	105		
*TSS 60S30 EP	3.50	4.38	3-1/2	4-3/8	89	111		
TSS 64S30 EP	3.75	4.63	3-3/4	4-5/8	95	118		
*TSS 68S30 EP	4.00	4.88	4	4-7/8	102	124		
*TSS 72S30 EP	4.25	5.13	4-1/4	5-1/8	108	130		
*TSS 76S30 EP	4.50	5.38	4-1/2	5-3/8	114	137		
*TSS 80S30 EP	4.75	5.63	4-3/4	5-5/8	121	143		
*TSS 84S30 EP	5.00	5.88	5	5-7/8	127	149		
*TSS 88S30 EP	5.25	6.13	5-1/4	6-1/8	133	156		
*TSS 92S30 EP	5.50	6.38	5-1/2	6-3/8	140	162		
*TSS 96S30 EP	5.75	6.63	5-3/4	6-5/8	146	168		
*TSS 104S30 EP	6.25	7.13	6-1/4	7-1/8	159	181		
*TSS 112S30 EP	6.75	7.63	6-3/4	7-5/8	172	194		
*TSS 116S30 EP	7.00	7.88	7	7-7/8	178	200		
*TSS 120S30 EP	7.25	8.13	7-1/4	8-1/8	184	206		

Other sizes available upon request. Available in packed and bulk stock. Other packaging configurations available.

\*items not stocked. special order only



SECT. B-B



260 Schilling Circle  
Hunt Valley, MD, 21031, USA

Ph: 410-771-0380 • Fax: 410-771-5576

www.murraycorp.com

email: sales@murraycorp.com