

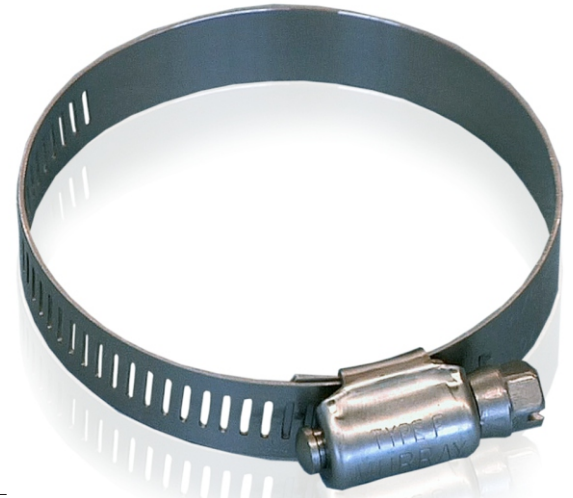
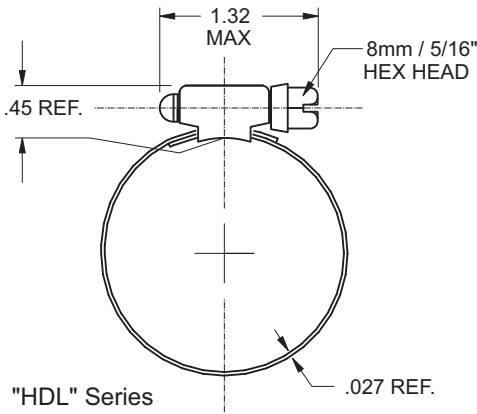
MURRAY

MURRAY CORPORATION Clamping Solutions

HDL High Torque Series Clamps - SAE Type "F"

Murray Corporation precision-engineered specialty clamps for various applications. OEM quantities are available directly from Murray.

All 316 series stainless steel clamp. 1/2" inch wide band is thicker than standard worm drive clamp. This construction yields superior performance and longevity in corrosive environments. Applications include plumbing, water well, municipal storm drain systems, irrigation, marine, transportation and petro-chemical.



Rated Ultimate Torque:
316 Stainless Screw 87in.lbs. min. (9.8Nm)
Recommended Installation Torque:
316 Stainless Screw 45-65in.lbs. (5.1 - 7.3Nm)

| SAE Size | Part Number | "A" Diameter Range | | | | | |
|----------|-------------|--------------------|------|---------|--------|-------------|-----|
| | | Decimals | | Inches | | Millimeters | |
| 6 | HDL 6SS | .44 | .78 | 7/16 | 25/32 | 11 | 20 |
| 8 | HDL 8SS | .44 | .91 | 7/16 | 29/32 | 11 | 23 |
| 10 | HDL 10SS | .56 | 1.06 | 9/16 | 1-1/16 | 14 | 27 |
| 12 | HDL 12SS | .69 | 1.25 | 11/16 | 1-1/4 | 18 | 32 |
| 16 | HDL 16SS | .75 | 1.50 | 3/4 | 1-1/2 | 19 | 38 |
| 20 | HDL 20SS | .81 | 1.75 | 13/16 | 1-3/4 | 21 | 44 |
| 24 | HDL 24SS | 1.06 | 2.00 | 1-1/16 | 2 | 27 | 51 |
| 28 | HDL 28SS | 1.31 | 2.25 | 1-5/16 | 2-1/4 | 33 | 57 |
| 32 | HDL 32SS | 1.56 | 2.50 | 1-9/16 | 2-1/2 | 40 | 64 |
| 36 | HDL 36SS | 1.81 | 2.75 | 1-13/16 | 2-3/4 | 46 | 70 |
| 40 | HDL 40SS | 2.06 | 3.00 | 2-1/16 | 3 | 52 | 76 |
| 44 | HDL 44SS | 2.31 | 3.25 | 2-5/16 | 3-1/4 | 59 | 83 |
| 48 | HDL 48SS | 2.56 | 3.50 | 2-9/16 | 3-1/2 | 65 | 89 |
| 52 | HDL 52SS | 2.81 | 3.75 | 2-13/16 | 3-3/4 | 71 | 95 |
| 56 | HDL 56SS | 3.06 | 4.00 | 3-1/16 | 4 | 78 | 102 |
| 60 | HDL 60SS | 3.31 | 4.25 | 3-5/16 | 4-1/4 | 84 | 108 |
| 64 | HDL 64SS | 3.56 | 4.50 | 3-9/16 | 4-1/2 | 90 | 114 |
| 72 | HDL 72SS | 4.06 | 5.00 | 4-1/16 | 5 | 103 | 127 |
| 80 | HDL 80SS | 4.56 | 5.50 | 4-9/16 | 5-1/2 | 116 | 140 |
| 88 | HDL 88SS | 5.06 | 6.00 | 5-1/16 | 6 | 129 | 152 |
| 96 | HDL 96SS | 5.56 | 6.50 | 5-9/16 | 6-1/2 | 141 | 165 |
| 104 | HDL 104SS | 6.06 | 7.00 | 6-1/16 | 7 | 154 | 178 |
| 116 | HDL 116SS | 6.50 | 7.75 | 6-1/2 | 7-3/4 | 165 | 197 |



HDL clamp sizes are available on special order only. Ask your Murray representative for price and availability.



260 Schilling Circle
Hunt Valley, MD, 21031, USA

Ph: 410-771-0380 • Fax: 410-771-5576
www.murraycorp.com • email: sales@murraycorp.com