

MURRAY

MURRAY CORPORATION Clamping Solutions

Worm Drive Hose Clamps - SAE Type "F"

Murray is a manufacturer of multiple grades and sizes of traditional Worm Drive hose clamps. Our SAE type F clamps have all stainless steel bands and housings. A Murray tradition for over 90 years.

H Series – "Gold Seal"™ Clamps

Band and housing are 200/300 series stainless steel. Screw is 5/16" slotted hex head, heat treated carbon steel, plated with zinc plus trivalent chromate for long lasting protection. Good general-purpose clamp.

HSS Series – With "400" Series Steel Screw Clamps

Band and housing are 200/300 series stainless steel. Screw is 5/16" slotted hex head, heat treated 400 series stainless steel. The corrosion resistance of this all stainless steel band, housing and screw makes this the perfect clamp for numerous industrial installations.

HFSS Series - All "300" Series Stainless Steel Construction Clamps

Band, housing and screw are 300 series stainless steel. Screw is 5/16" slotted hex head. The all-300 series stainless steel construction provides better corrosion resistance than that available from the "H-SS" Series, making this worm drive clamp well suited for marine applications.

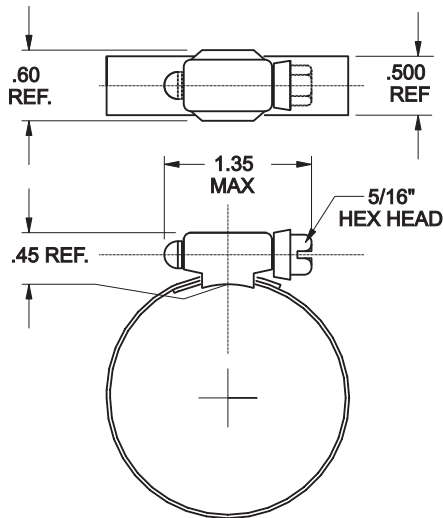


Rated Ultimate Torque:

Carbon Screw 50in.lbs. min. (5.6Nm)
SS Screw 60in.lbs. min. (6.8Nm)

Recommended Installation Torque:

Carbon Screw 30-40in.lbs. (3.4 - 4.5Nm)
SS Screw 35-45in.lbs. (4.0 - 5.1Nm)



Applies to: H, H-SS, HF-SS Series



MURRAY
Clamp
Key

Clamp Series "A"				Diameter Range SAE					
Size	H	H-SS	HF-SS	Decimals		Inches		Millimeters	
6	H 6	H 6 SS	HF 6 SS	.44	.78	7/16	25/32	11	20
8	H 8	H 8 SS	HF 8 SS	.44	.91	7/16	29/32	11	23
10	H 10	H 10 SS	HF 10 SS	.56	1.06	9/16	1-1/16	14	27
12	H 12	H 12 SS	HF 12 SS	.69	1.25	11/16	1-1/4	18	32
16	H 16	H 16 SS	HF 16 SS	.75	1.50	3/4	1-1/2	19	38
20	H 20	H 20 SS	HF 20 SS	.81	1.75	13/16	1-3/4	21	44
24	H 24	H 24 SS	HF 24 SS	1.06	2.00	1-1/16	2	27	51
28	H 28	H 28 SS	HF 28 SS	1.31	2.25	1-5/16	2-1/4	33	57
32	H 32	H 32 SS	HF 32 SS	1.56	2.50	1-9/16	2-1/2	40	64
36	H 36	H 36 SS	HF 36 SS	1.81	2.75	1-13/16	2-3/4	46	70
40	H 40	H 40 SS	HF 40 SS	2.06	3.00	2-1/16	3	52	76
44	H 44	H 44 SS	HF 44 SS	2.31	3.25	2-5/16	3-1/4	59	83
48	H 48	H 48 SS	HF 48 SS	2.56	3.50	2-9/16	3-1/2	65	89
52	H 52	H 52 SS	HF 52 SS	2.81	3.75	2-13/16	3-3/4	71	95
56	H 56	H 56 SS	HF 56 SS	3.06	4.00	3-1/16	4	78	102
60	H 60	H 60 SS	HF 60 SS	3.31	4.25	3-5/16	4-1/4	84	108
64	H 64	H 64 SS	HF 64 SS	3.56	4.50	3-9/16	4-1/2	90	114
72	H 72	H 72 SS	HF 72 SS	4.06	5.00	4-1/16	5	103	127
80*	H 80	H 80 SS	HF 80 SS	4.56	5.50	4-9/16	5-1/2	116	140
88*	H 88	H 88 SS	HF 88 SS	5.06	6.00	5-1/16	6	129	152
96	H 96	H 96 SS	HF 96 SS	5.56	6.50	5-9/16	6-1/2	141	165
104	H 104	H 104 SS	HF 104 SS	6.06	7.00	6-1/16	7	154	178
116	H 116	H 116 SS	HF 116 SS	6.50	7.75	6-1/2	7-3/4	165	197
128	H 128	H 128 SS	HF 128 SS	5.69	8.50	5-11/16	8-1/2	144	216



Other sizes available upon request. Available in packed and bulk stock. Other packaging configurations available.
*items not stocked. Subject to availability.



MURRAY

260 Schilling Circle
Hunt Valley, MD, 21031, USA

Ph: 410-771-0380 • Fax: 410-771-5576

www.murraycorp.com • email: sales@murraycorp.com